

# THE CRYSTAL COLLECTION



**CARYSIL**  
GERMAN ENGINEERED

X





## SUSSANNE KHAN

FOUNDER - THE CHARCOAL PROJECT

### **India's first and most unique design concept store.**

Ms. Khan obtained an Associate Art Degree in Interior Design from Brooks College, Long Beach, California in the year 1995, and designed her first project in 1996. Further through the years she has practised her unique style of interior design.

She uses metal, wood, natural fibres, concrete, geometric patterns, organic forms, embellishments, all subtly woven together to create what she calls quiet luxe, her signature style; a seamless blend of industrial masculine with feminine edgy chic. Her belief is that luxury is about emotion and design is her tool.

“

Design  
can be  
beautiful but  
it also needs  
to be  
functional.

”

~Sussanne Khan





## CHIRAG PAREKH

---

CHAIRMAN & MANAGING DIRECTOR OF  
CARYSIL LTD.

Carysil additionally has its subsidiaries in USA,  
UK and Germany.

Mr. Parekh completed his education from European University, Switzerland. He joined the Company in 1993 and steered it to become one of the most prominent global brands of today. Under his able leadership, the Company was recognized as “Forbes Asia Best under a Billion Company” in the year 2020. Carysil has also received A-Rating from ICRA.

Apart from his corporate responsibilities Mr. Parekh is also actively involved in various social activities to provide a better life to people.



We believe in  
constant  
innovation and  
trust through  
delivering the  
best quality.



-Chirag Parekh





# LUXURY KITCHEN SINK

## THE CRYSTAL COLLECTION

Carysil is a pioneer when it comes to innovation and disruption using cutting-edge technology. Sussanne Khan is a creative genius to translate art into everyday products.

SK X Carysil CRYSTAL COLLECTION is a cutting edge quartz sink designed to accentuate your home and facilitate maximum functionality. Beautifully cut and angled, this gem is a true masterpiece. Simply put the line of products are beyond the ordinary!

## MATERIAL QUARTZ

No one knows quartz like we do. It's what we've been doing for 30 years. The hardest part of granite, quartz forms around 80% of the raw material used in our composite sinks. You can see why they are the toughest around. We mould quartz with high-grade acrylic resin using a special computer-controlled casting process. The result is a hardened composite material that is resistant to scratches, dents, stains, heat and cracks. That's why our composite quartz sinks last the distance.



SCRATCH  
RESISTANT



DENT  
RESISTANT



HEAT  
RESISTANT



STAINS  
RESISTANT



CRACKS  
RESISTANT



GERMAN  
TECHNOLOGY

# CRYSTAL 2118



CHARCOAL



SAGE



SNOW



AZURE

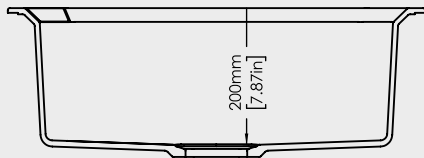
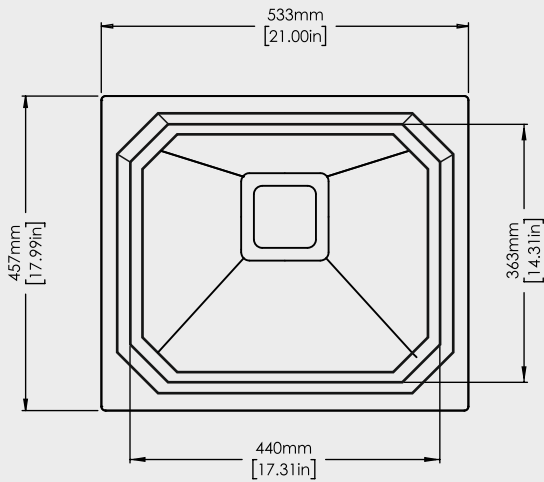


SAND



GRAPHITE

## TECHNICAL SPECIFICATIONS:



\*Size: 21" x 18" x 8

\* Approx dimension in inches as converted from mm

**CHECK FOR LEAKS:** Supply user tubes to faucet | Supply riser tubes to shut off valves or lower connections  
Fill sink with water and check for leak around drain | Release water from sink and check for possible leaks  
Tighten as needed

# CRYSTAL 2418



CHARCOAL



SAGE



SNOW



AZURE

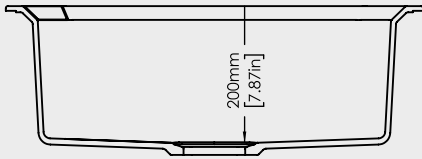
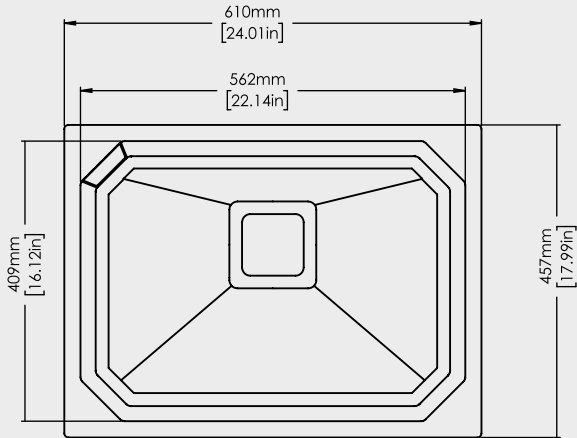


SAND



GRAPHITE

## TECHNICAL SPECIFICATIONS:



\*Size: 24" x 18" x 8

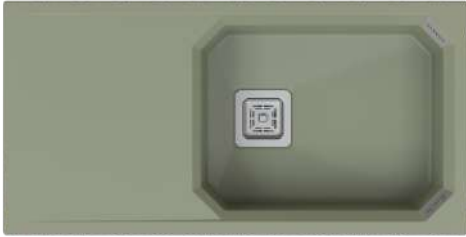
\* Approx dimension in inches as converted from mm

**CHECK FOR LEAKS:** Supply user tubes to faucet | Supply riser tubes to shut off valves or lower connections  
Fill sink with water and check for leak around drain | Release water from sink and check for possible leaks  
Tighten as needed

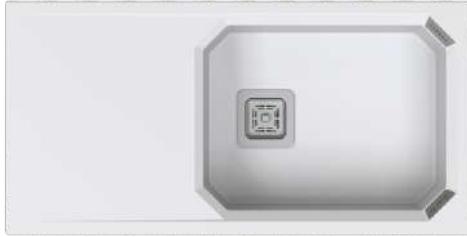
# CRYSTAL 3618



CHARCOAL



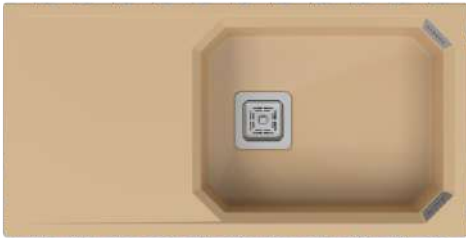
SAGE



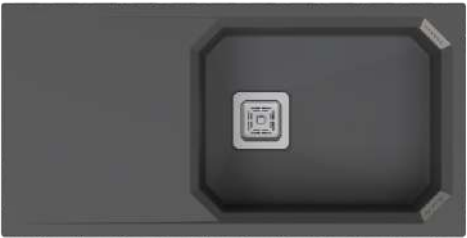
SNOW



AZURE

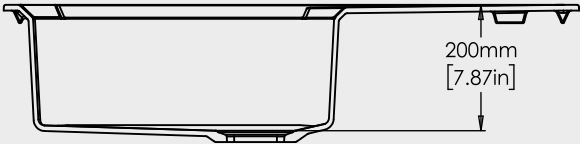
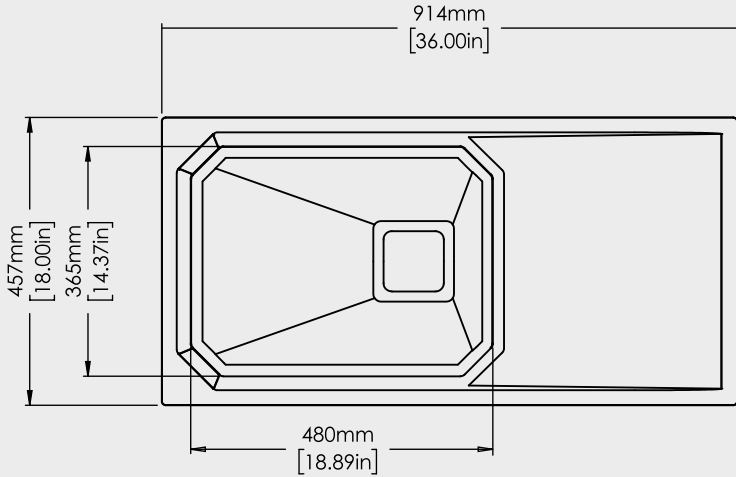


SAND



GRAPHITE

## TECHNICAL SPECIFICATIONS:

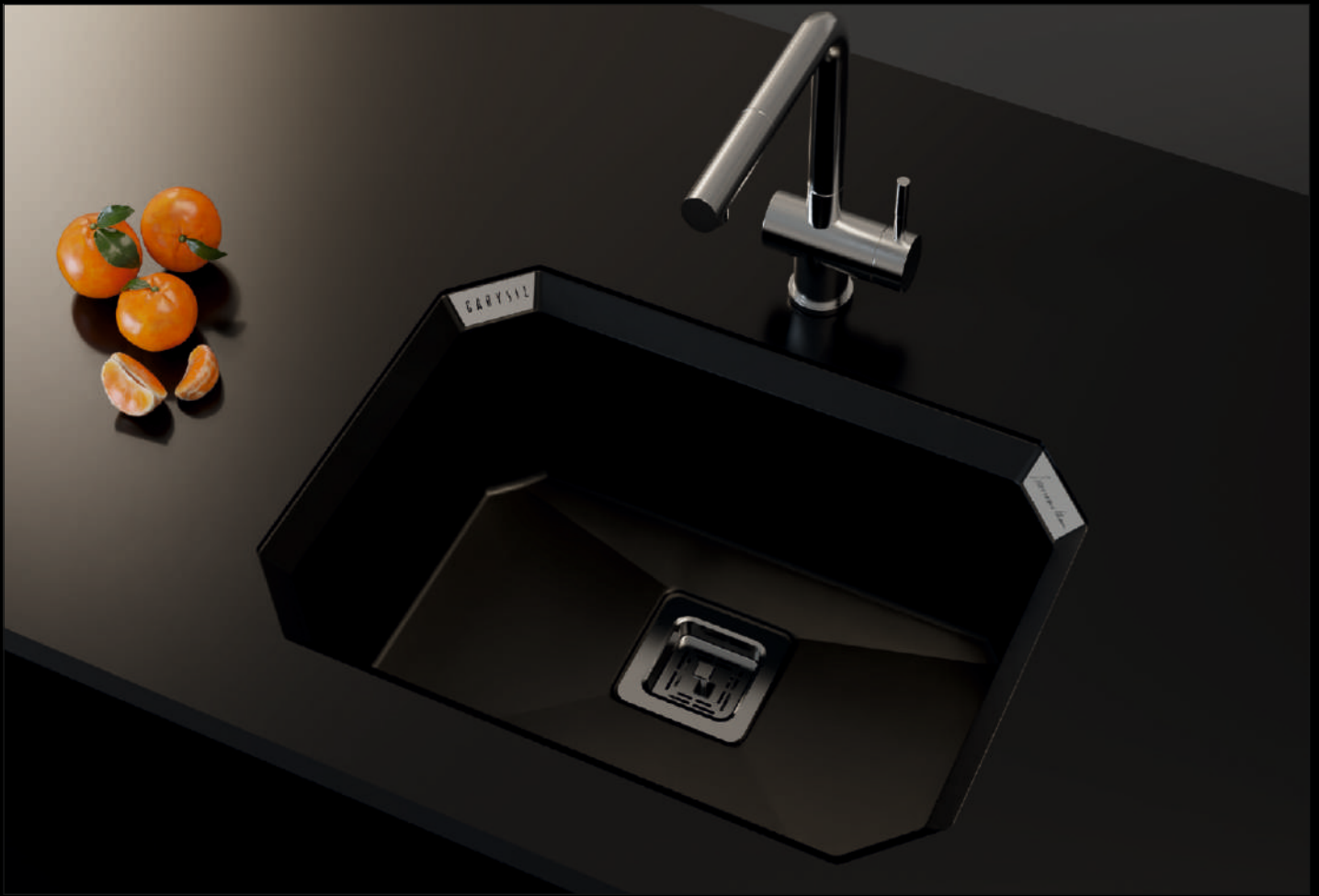


\*Size: 36" x 18" x 8

\* Approx dimension in inches as converted from mm

**CHECK FOR LEAKS:** Supply user tubes to faucet | Supply riser tubes to shut off valves or lower connections  
 Fill sink with water and check for leak around drain | Release water from sink and check for possible leaks  
 Tighten as needed





#### INSTALLATION OPTIONS



TOP MOUNT



UNDER MOUNT



FLUSH MOUNT

#### SINK CUTOUT MEASUREMENTS

Model	Length	Width
Crystal 2418 Topmount	590mm	437mm
Crystal 2418 Undermount	562mm R9	409mm R9
Crystal 2418 Flushmount	610mm R6	457mm R6

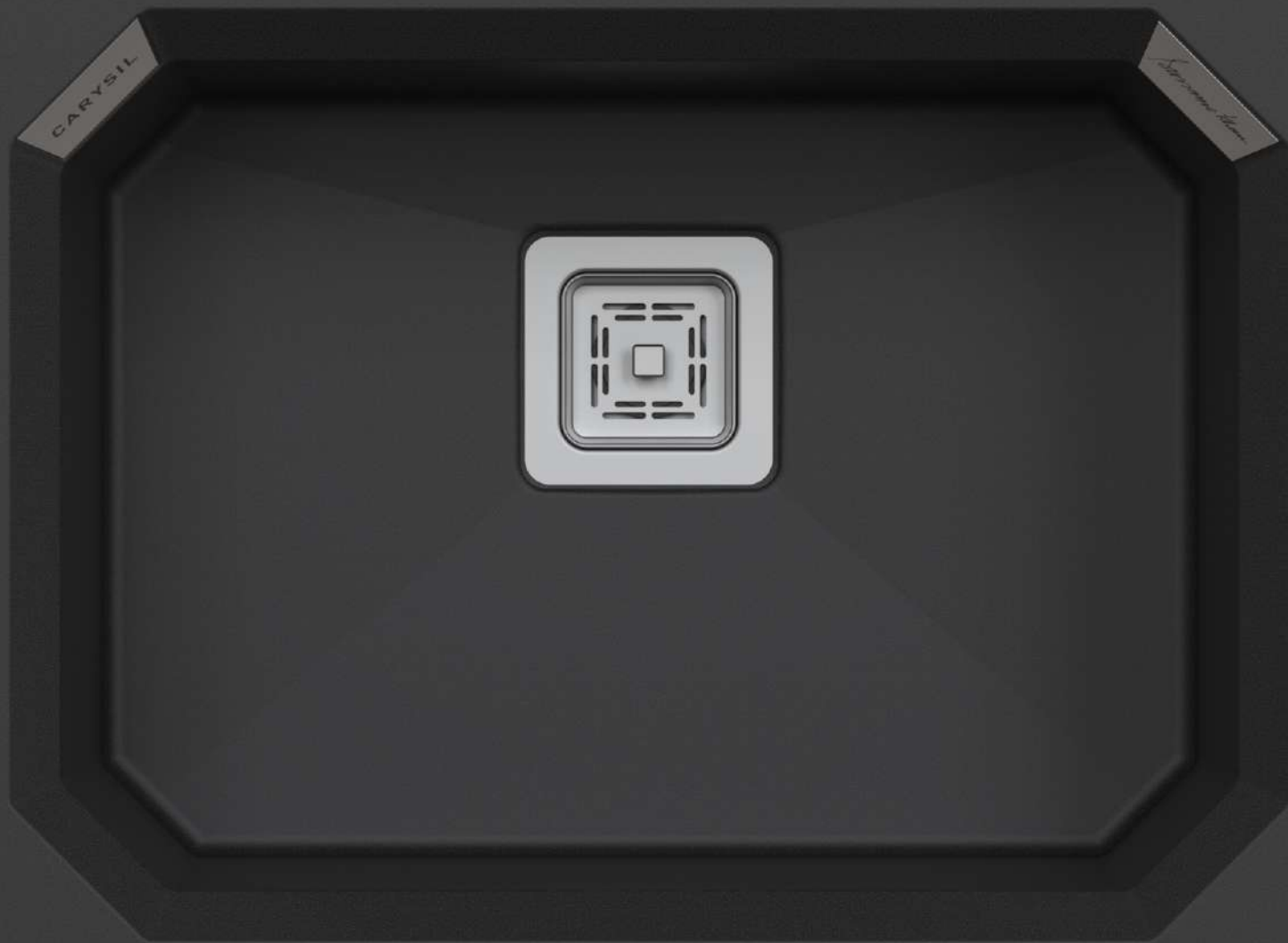
#### Granite Style Sink Care & Cleaning Instructions:

**Everyday Cleaning:** Wash your sink using warm water, a soft cloth or non - abrasive woven nylon pad and a non- abrasive liquid cleaner or detergent. This can be done as often as the sink is used.

**Metallic Abrasions or Heavy Stains:** Wipe the sink using a soft cloth or non -abrasive woven nylon pad and a liquid scouring product. Apply the liquid scouring product sparingly and rub lightly. Repeat as necessary until sink is clean.

**Hard Water, Calcium and Lime Deposits:** Wipe with a non - Abrasive woven nylon pad and white vinegar. Rinse after 20 minutes.

**Do Not Use:** Abrasive cleansers, abrasive scrub pads or alkali cleaners such as ammonia.



**CARYSIL**  
GERMAN ENGINEERED

X

**SK**

[www.carysil.com](http://www.carysil.com) | [info@carysil.com](mailto:info@carysil.com) | Toll free : 180030008833 | Instagram: @carysilkitchen | Facebook: @carysilworldwide

## OFFICES

### Factory and Headquarters:

Survey No.312, Bhavnagar-Rajkot  
Highway, Navagam, Vartej,  
Bhavnagar, Gujarat 364060, India  
T: +91 278 2540218 / 2540893  
F: +91-278-2540558  
M: info@carysil.com

### Registered Office:

A-702, 7th Floor,  
Kanakia wall street, Chakala,  
Andheri Kurla Road,  
Andheri East,  
Mumbai - 400093  
Ph.: +91 022 41902000 - 41902099

### Delhi office:

B-30, Okhla Industrial Area  
Phase-1, ND-110020  
T: 85888 48960